

ECV100-24DC-EU

Electronic UNIV 5 in 1 dimming

Outdoor Aluminum Enclosure

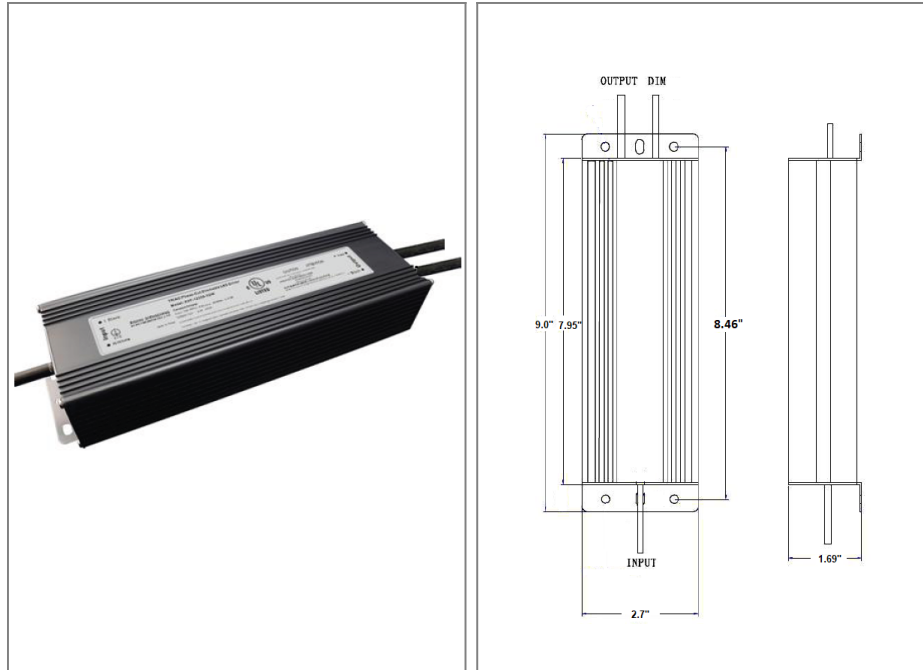
Single Circuit: **24VDC 20kHz PWMHz**

Total Wattage: **100W max**

Input Voltage: **230V 50/60Hz**



www.emcod.com



Transformer

Dimmable with triac forward and reverse phase, 0/1-10V , resistor, PWM

Input leads are 18AWG 600V

Output leads are 18AWG 300V

Leads max. operational temperature is 105°C

Housing

The actual transformer 100W is encapsulated in the enclosure

The enclosure is Aluminum, IP 66 rated

Working ambient temperature range: -40°C (-40°F) to 50°C (122°F)

Enclosure Temperature does not exceed 70°C at 45°C ambient and fully loaded

Dimensions (inch): H = 9, W = 2.7, D = 1.69

Weight (LBs): 2.35

Electrical Parameters

Input Voltage: **230V 50/60Hz**

Max. input current at full load: **0.62A**

Output voltage without load: **24.1VDC**

Output voltage fully loaded: **24VDC**

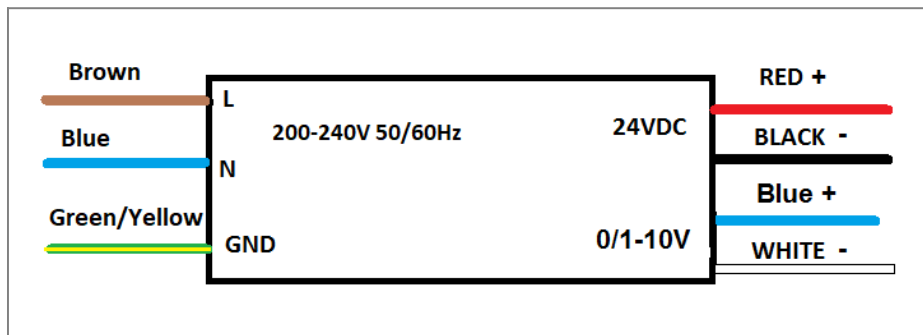
Max. Total Wattage: **100W**

Max. Output Current: **4.2A**

Efficiency: **84%**

Load regulation: **2%**

Ripple: **0%**



Mailing Address: 646 Flinn Ave. Unit B, Moorpark , CA 93021 Tech support: Arik Nirenberg phone: 818-904-3309

Fax: 818 904 3327 info@emcod.com techsupport@emcod.com