

EM300S12DC-TP

Magnetic Dimmable

Outdoor Black Powder Coated Steel Enclosure

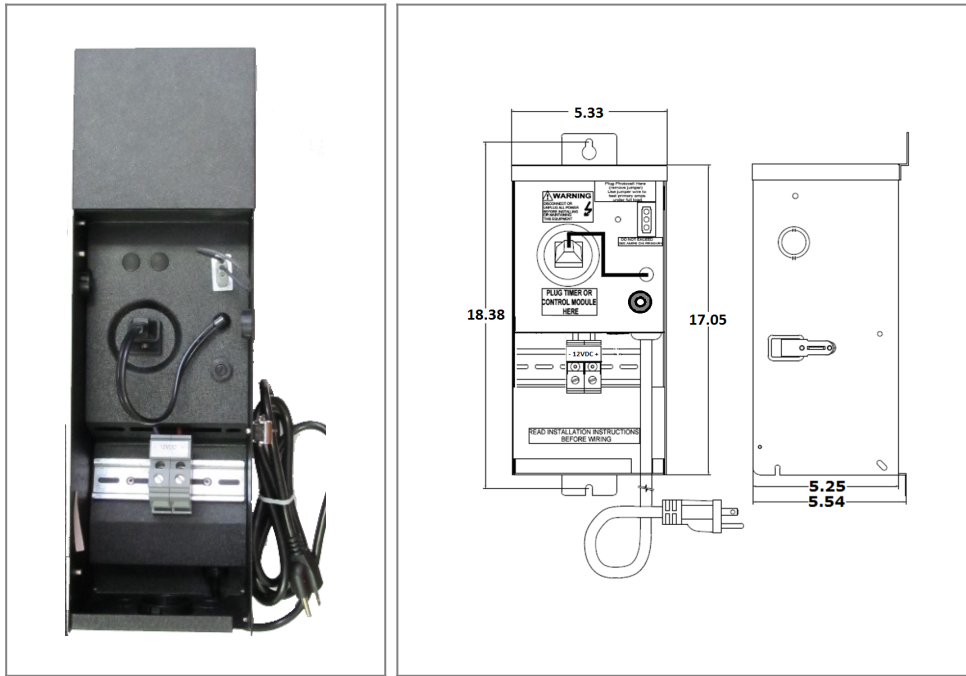
Single Circuit: **12VDC**

Total Wattage: **300W max**

Input Voltage: **120V 60Hz**



Conforms to UL STD.
Certified to CSA
STD. C22.2 No 250.0
model EM300
[Link to certification](#)



Transformer

Dimmable with any MLV, CL dimmer, as long as, dimmer's min. load is covered.

Temperature class B(130°C)

Two section bobbin completely separated primary and secondary windings

Input leads: Line cord

Output leads: Terminal Block

Leads max. operational temperature is 105°C

Thermal manually reset secondary breaker 25A

Timer and photocell build in options

Housing

The actual transformer 300W is encapsulated in the enclosure

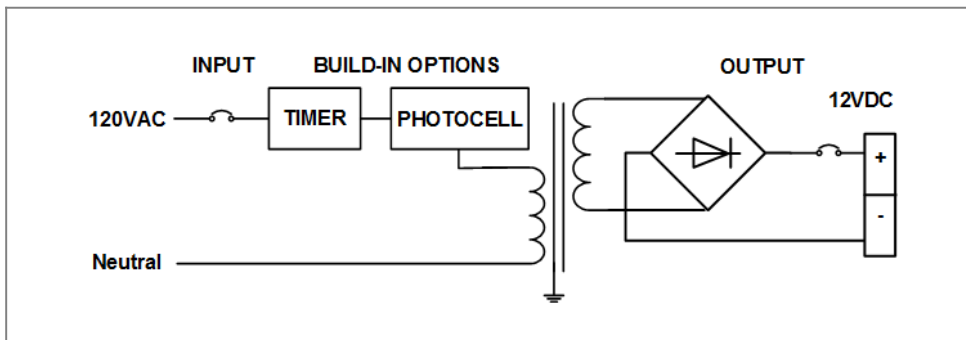
The enclosure is Black Powder Coated Steel, NEMA 3R rated

Wiring compartment has 7 knockouts sizes for 3/8 inch screw cable connectors

Enclosure Temperature does not exceed 65°C at 45°C ambient and fully loaded

Dimensions (inch): H = 17.05, W = 5.33, D = 5.5

Weight (LBs): 16.5



Electrical Parameters

Input Voltage: **120V 60Hz**

Max. input current at full load: **3A**

Output voltage without load: **12.8VDC**

Output voltage fully loaded: **11.5VDC**

Max. Total Wattage: **300W**

Max. Output Current: **25A**

Mailing Address: 15545 Cabrito Rd. Van Nuys, CA 91406 Tech support: Arik Nirenberg phone: 818-904-3309 cellphone: 818-269-4091
Fax: 818 904 3327 info@emcod.com techsupport@emcod.com