

# EM200S12DC-TP

## Magnetic Dimmable

Outdoor Black Powder Coated Steel Enclosure

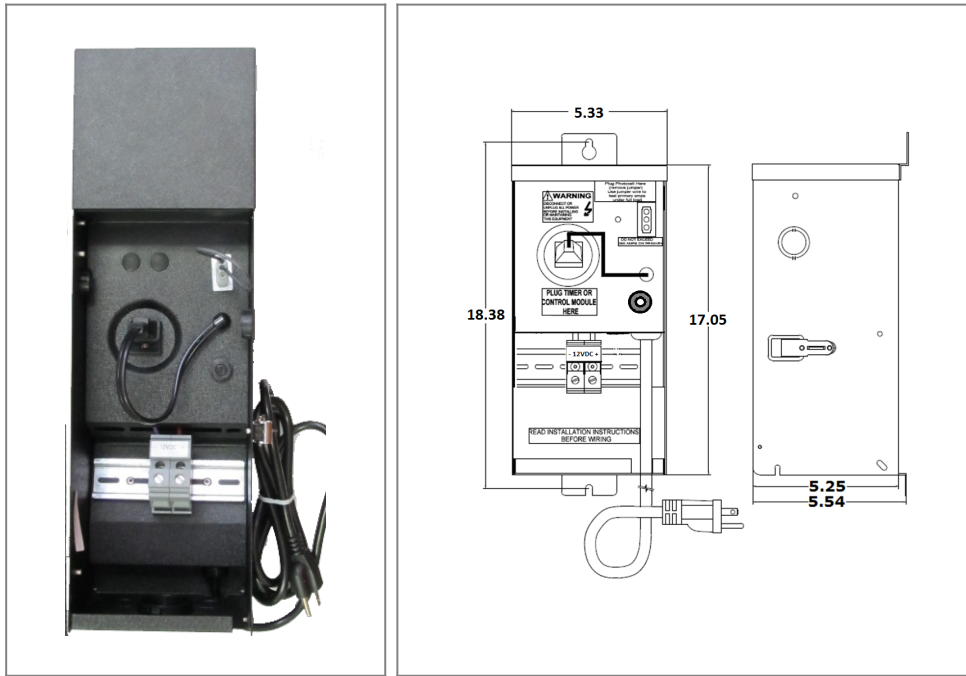
Single Circuit: **12VDC**

Total Wattage: **200W max**

Input Voltage: **120V 60Hz**



Conforms to UL STD.  
Certified to CSA  
STD. C22.2 No 250.0  
model EM150  
[Link to certification](#)



### Transformer

Dimmable with any MLV, CL dimmer, as long as, dimmer's min. load is covered.

Temperature class B(130°C)

Two section bobbin completely separated primary and secondary windings

Input leads: Line cord

Output leads: Terminal Block

Leads max. operational temperature is 105°C

Thermal manually reset secondary breaker 25A

Timer and photocell build in options

### Housing

The actual transformer 200W is encapsulated in the enclosure

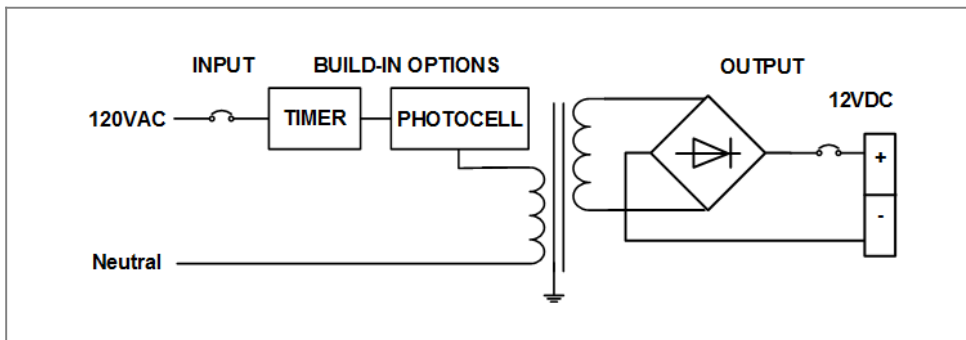
The enclosure is Black Powder Coated Steel, NEMA 3R rated

Wiring compartment has 7 knockouts sizes for 3/8 inch screw cable connectors

Enclosure Temperature does not exceed 65°C at 45°C ambient and fully loaded

Dimensions (inch): H = 17.05, W = 5.33, D = 5.5

Weight (LBs): 16.5



### Electrical Parameters

Input Voltage: **120V 60Hz**

Max. input current at full load: **2.5A**

Output voltage without load: **12.8VDC**

Output voltage fully loaded: **11.6VDC**

Max. Total Wattage: **200W**

Max. Output Current: **16.6A**

Mailing Address: 15545 Cabrito Rd. Van Nuys, CA 91406 Tech support: Arik Nirenberg phone: 818-904-3309 cellphone: 818-269-4091  
Fax: 818 904 3327 info@emcod.com techsupport@emcod.com