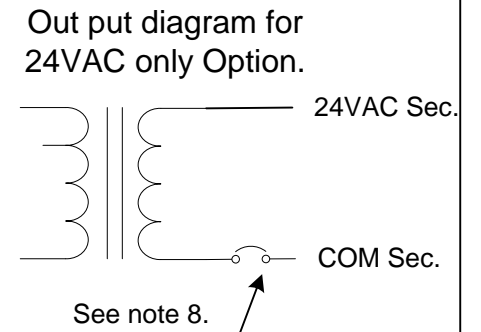
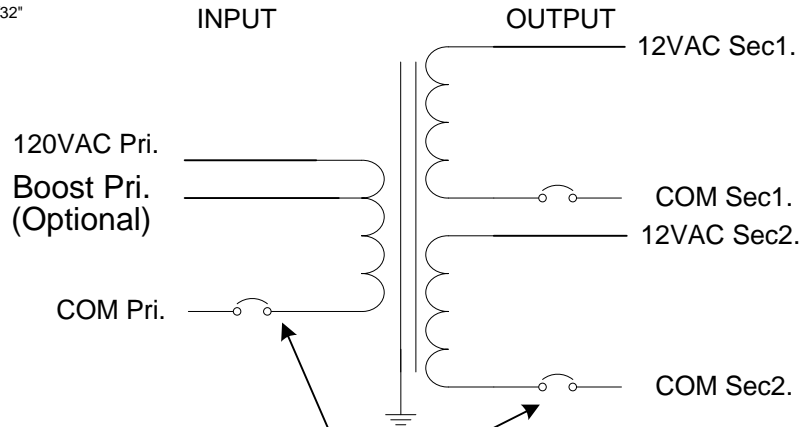
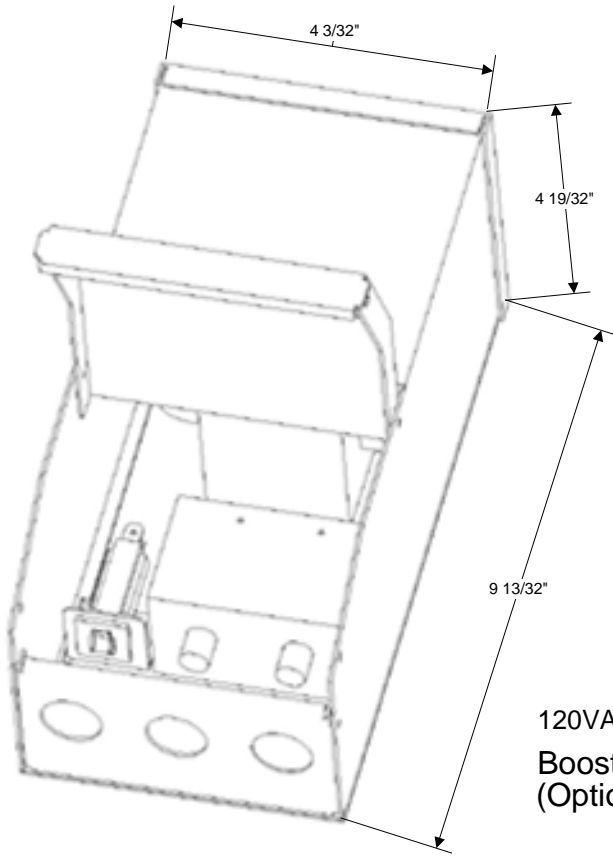


**NOTES:**

1. Output voltage in table 1 with 120VAC applied and fully loaded.
2. Maximum no load input current : 0.9A
3. Enclosure Temperature does not exceed 65°C in a 40°C ambient, fully loaded.
4. The actual transformer 600VA is encapsulated in the enclosure.
5. The transformer is dimmable with all dimmers that provide symmetrical form of the current under any condition.
6. Input leads are 18 AWG output leads are 12 AWG. Lead insulation is 105°C.
7. The transformer uses a class B (130°C) insulation system.
8. The transformer has a manual reset thermal 7A circuit breaker on the primary side, or manual reset magnetic 25A circuit breaker on the secondary side.
9. Wiring compartment has 3 knockouts sized for 3/4 inch screw cable connectors.
10. The wiring compartment cover hinged with rivets and opens vertically from bottom to top.
11. The enclosure, available in black powder coated or stainless steel is NEMA 3R rated.
12. The Transformer is UL listed. UL file number: E194005.
13. The label contains Technomagnet's catalog number and electrical rating.
14. The boost tap option is indicated by the marked check box on the label.



**EMCOD** LIGHTING TRANSFORMERS  
 www.emcod.com  
**LOW VOLTAGE LIGHTING TRANSFORMER**  
 ENCLOSURE  OUTDOOR NEMA 3R  INDOOR  
**INPUT:**  120V  230V  60 Hz  
 208V  277V  50 Hz  
**OUTPUT:**  12VAC  12/24VAC  24VAC  
**WATTAGE:**  500VA  600VA  900VA  
 1000VA  1200VA  1500VA  
**WARNING:**  
 HAZARD OF ELECTRICAL SHOCK OR BURN.  
 DISCONNECT POWER SUPPLY BEFORE WORKING INSIDE.  
 RISK OF FIRE. IF INSTALLATION INVOLVES RUNNING WIRE  
 THROUGH A BUILDING STRUCTURE, SPECIAL WIRING  
 METHODS ARE NEEDED.  
 CONSULT A QUALIFIED ELECTRICIAN.

See note 8.

**Table 1.**

Output Volts	
120VAC	Boost
2 X 11.8	2 X 12.8

			13332 Blythe St. N Hollywood, CA 91405 www.emcod.com		
<input checked="" type="checkbox"/>	NAME	DATE	SING.	PAGE ____	SCALE no scale
DRW.				OF ____	TOLERANCE ±
CHK.				DESCRIPTION: Compact outdoor 12V 600VA Low voltage Transformer.	
APV.					
PART No. <b>EMX-600OD REV.A</b>					