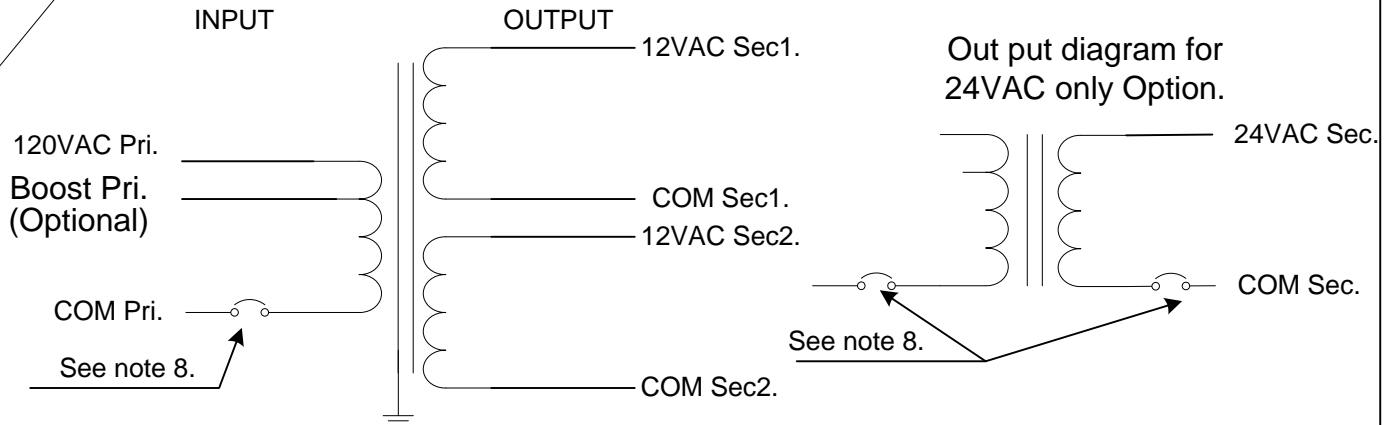
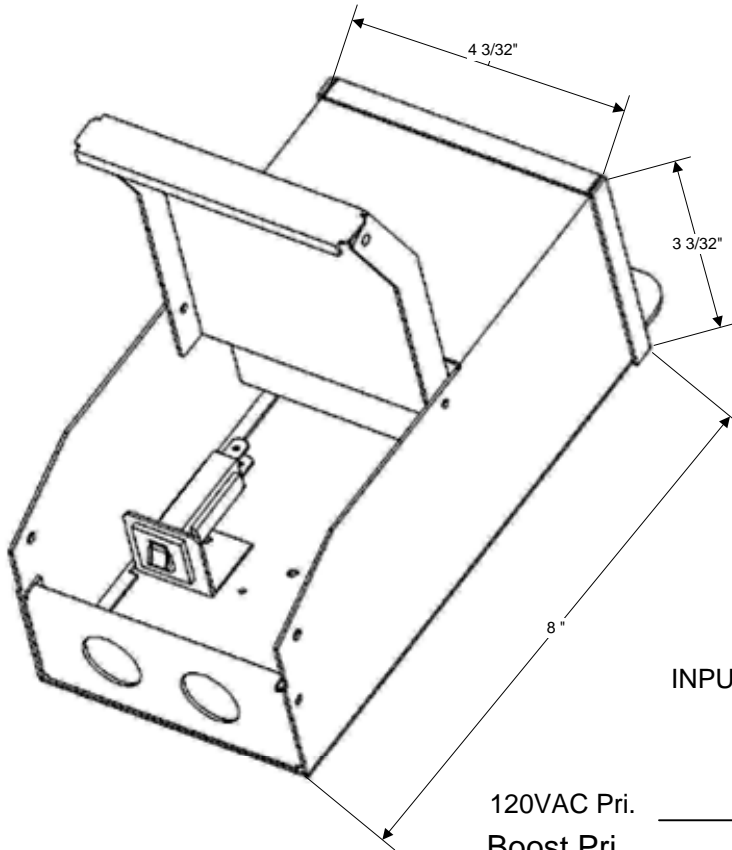


NOTES:

1. Output voltage in table 1 with 120VAC applied and fully loaded.
2. Maximum no load input current : 0.6A
3. Enclosure Temperature does not exceed 65°C in a 40°C ambient, fully loaded.
4. The actual transformer 300VA is encapsulated in the enclosure.
5. The transformer is dimmable with all dimmers that provide symmetrical form of the current under any condition.
6. Input leads are 18 AWG output leads are 12 AWG. Lead insulation is 105°C.
7. The transformer uses a class B (130°C) insulation system.
8. The transformer has a manual reset thermal 4A circuit breaker on the primary side, or a 15A on the secondary side.
9. Wiring compartment has 3 knockouts sized for 3/4 inch screw cable connectors.
10. The wiring compartment cover hinged with rivets and opens vertically from bottom to top.
11. The enclosure, available in black powder coated or stainless steel is NEMA 3R rated.
12. The Transformer is UL listed. UL file number: E194005.
13. The label contains Technomagnet's catalog number and electrical rating.
14. The boost tap option is indicated by the marked check box on the label.



LISTED
PRODUCT IDENTITY
577B

EMCOD
LIGHTING TRANSFORMERS
WWW.EMCOD.COM

LOW VOLTAGE LIGHTING TRANSFORMER

ENCLOSURE: OUTDOOR NEMA 3R INDOOR

INPUT: 120V 230V 60 HZ
 208V 277V 50 HZ

OUTPUT: 12VAC 12/24VAC 24VAC
 12VDC 12/24VDC 24VDC

WATTAGE: 75VA 100VA 150VA
 200VA 250VA 300VA

WARNING:
 HAZARD OF ELECTRICAL SHOCK OR BURN.
 DISCONNECT POWER SUPPLY BEFORE WORKING INSIDE.
 RISK OF FIRE. IF INSTALLATION INVOLVES RUNNING WIRE
 THROUGH A BUILDING STRUCTURE, SPECIAL WIRING
 METHODS ARE NEEDED.
 CONSULT A QUALIFIED ELECTRICIAN.

Table 1.

Output Volts	
120VAC	120VAC
2 X 11.8	23.6

13332 Blythe St.
N Hollywood, CA 91405
www.emcod.com

	NAME	DATE	SING.	PAGE ____	SCALE no scale
DRW.				OF ____	TOLERANCE ±
CHK.				DESCRIPTION: Compact outdoor 12V 300VA Low voltage Transformer.	
APV.					
PART No. EMX-300OD REV. A					