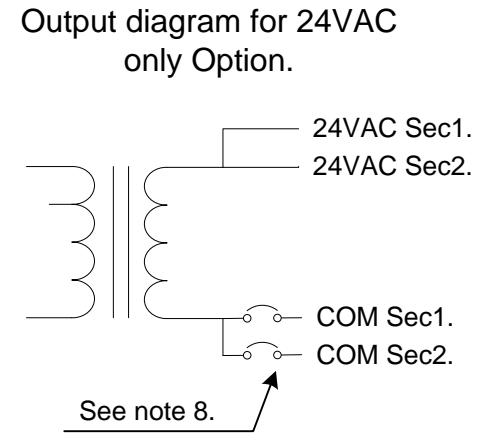
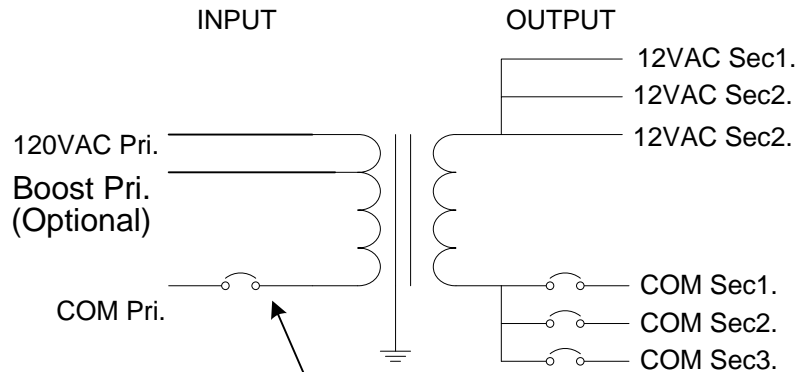


NOTES:

1. Output voltage in table 1 with 120VAC applied and fully loaded.
2. Maximum no load input current : 0.9A
3. Enclosure Temperature does not exceed 65°C in a 40°C ambient, fully loaded.
4. The actual transformer 750VA is encapsulated in the enclosure.
5. The transformer is dimmable with all dimmers that provide symmetrical form of the current under any condition.
6. Input leads are 18 AWG output leads are 12 AWG. Lead insulation is 105°C.
7. The transformer uses a class B (130°C) insulation system.
8. The transformer has a manual reset thermal 9A circuit breaker on the primary side, or 20A for 24V on the secondary side, or manual reset magnetic 25A circuit breaker for 12V .
9. Wiring compartment has 3 knockouts sized for 3/4 inch screw cable connectors.
10. The wiring compartment cover hinged with rivets and opens vertically from bottom to top.
11. The enclosure, available in black powder coated or stainless steel is NEMA 3R rated.
12. The Transformer is UL listed. UL file number: E194005.
13. The label contains Technomagnet's catalog number and electrical rating.
14. The boost tap option is indicated by the marked check box on the label.



EMCOD LIGHTING TRANSFORMERS
 www.emcod.com
LOW VOLTAGE LIGHTING TRANSFORMER
 ENCLOSURE OUTDOOR NEMA 3R INDOOR

INPUT: 120V 230V 60 HZ
 208V 277V 50 HZ

OUTPUT: 12VAC 12/24VAC 24VAC

WATTAGE: 500VA 600VA 900VA
 1000VA 1200VA 1500VA

WARNING:
 HAZARD OF ELECTRICAL SHOCK OR BURN.
 DISCONNECT POWER SUPPLY BEFORE WORKING INSIDE.
 RISK OF FIRE. IF INSTALLATION INVOLVES RUNNING WIRE
 THROUGH A BUILDING STRUCTURE, SPECIAL WIRING
 METHODS ARE NEEDED.
 CONSULT A QUALIFIED ELECTRICIAN.

See note 8.

Table 1.

Output Volts	
120VAC	120VAC
3 X 11.8	2 X 23.6

			13332 Blythe st. N Hollywood, CA 91405 www.emcod.com		
<input checked="" type="checkbox"/>	NAME	DATE	SING.	PAGE ____	SCALE no scale
DRW.				OF ____	TOLERANCE ±
CHK.				DESCRIPTION: Compact outdoor 12V 750VA Low voltage Transformer.	
APV.					
PART No. EMC-750OD REV.A					