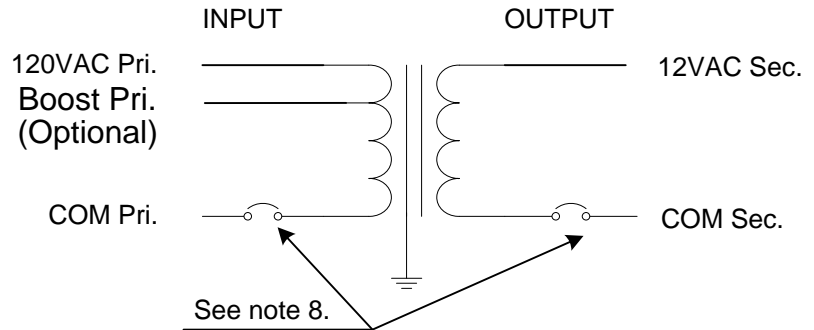
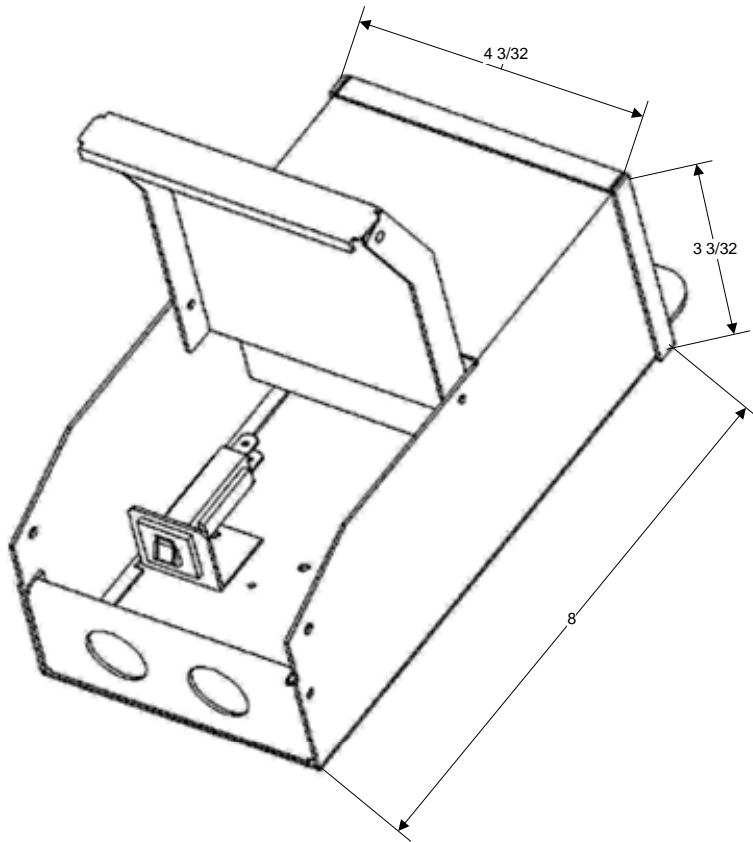


**NOTES:**

1. Output voltage in table 1 with 120VAC applied and fully loaded.
2. Maximum no load input current : 0.6A
3. Enclosure Temperature does not exceed 65°C in a 40°C ambient, fully loaded.
4. The actual transformer 300VA is encapsulated in the enclosure.
5. The transformer is dimmable with all dimmers that provide symmetrical form of the current under any condition.
6. Input leads are 18 AWG output leads are 12 AWG. Lead insulation is 105°C.
7. The transformer uses a class B (130°C) insulation system.
8. The transformer has a manual reset thermal 4A circuit breaker on the primary side, or a 25A circuit breaker on the secondary side indicated by the marked check box on the label.
9. Wiring compartment has 2 knockouts sized for 3/4 inch screw cable connectors.
10. The wiring compartment cover hinged with rivets and opens vertically from bottom to top.
11. The enclosure, available in black powder coated or stainless steel is NEMA 3R rated.
12. The Transformer is UL listed. UL file number: E194005.
13. The label contains Technomagnet's catalog number and electrical rating.
14. The boost tap option is indicated by the marked check box on the label.



**EMCOD**  
LIGHTING TRANSFORMERS  
WWW.EMCOD.COM

**LOW VOLTAGE LIGHTING TRANSFORMER**

ENCLOSURE:  OUTDOOR NEMA 3R     INDOOR

**INPUT:**     120V     230V     60 HZ  
                   208V     277V     50 HZ

**OUTPUT:**  12VAC     12/24VAC     24VAC  
                   12VDC     12/24VDC     24VDC

**WATTAGE:**  75VA     100VA     150VA  
                   200VA     250VA     300VA

**WARNING:**  
 HAZARD OF ELECTRICAL SHOCK OR BURN.  
 DISCONNECT POWER SUPPLY BEFORE WORKING INSIDE.  
 RISK OF FIRE. IF INSTALLATION INVOLVES RUNNING WIRE  
 THROUGH A BUILDING STRUCTURE, SPECIAL WIRING  
 METHODS ARE NEEDED.  
 CONSULT A QUALIFIED ELECTRICIAN.

**Table 1.**

Output Volts	
120AC	Boost
12	13

13332 Blythe st.  
N Hollywood, CA 91405  
www.emcod.com

	NAME	DATE	SING.	PAGE ____	SCALE no scale
DRW.				OF ____	TOLERANCE ±
CHK.				DESCRIPTION: Compact outdoor 12V 300VA Low voltage Transformer.	
APV.					
PART No. <b>EMC-300OD</b> REV. A					