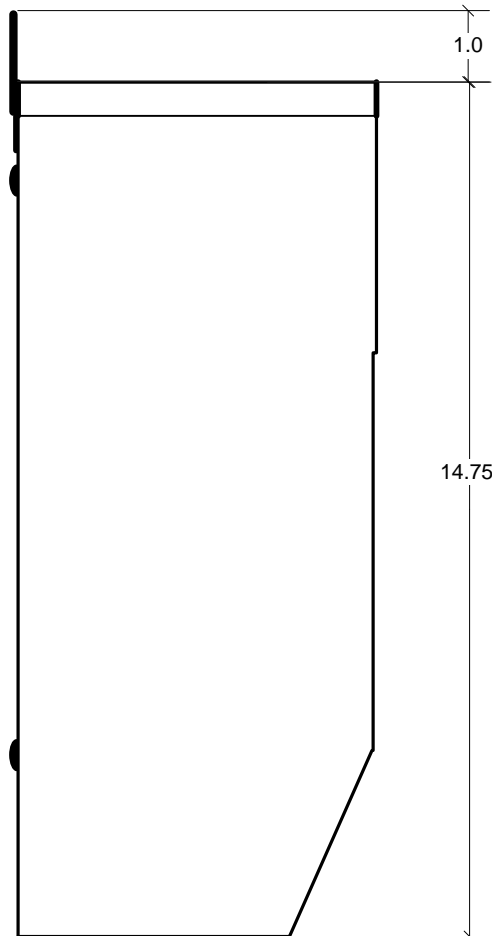
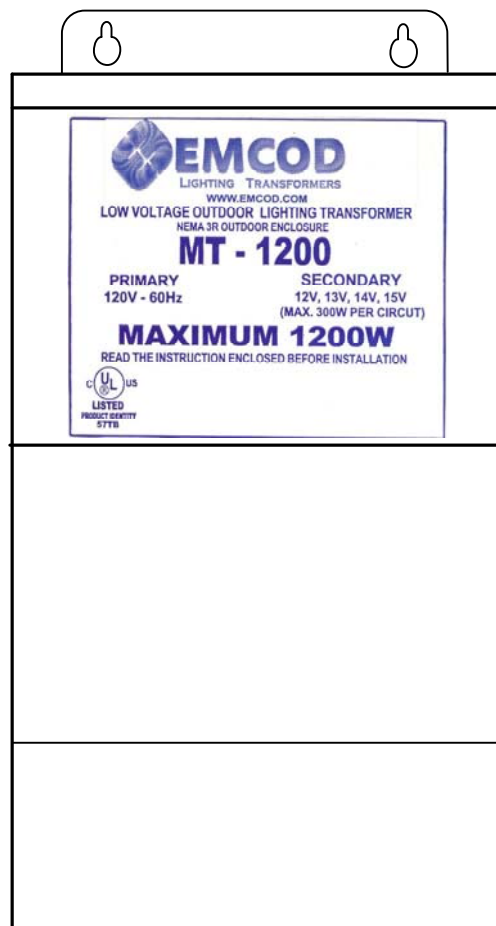


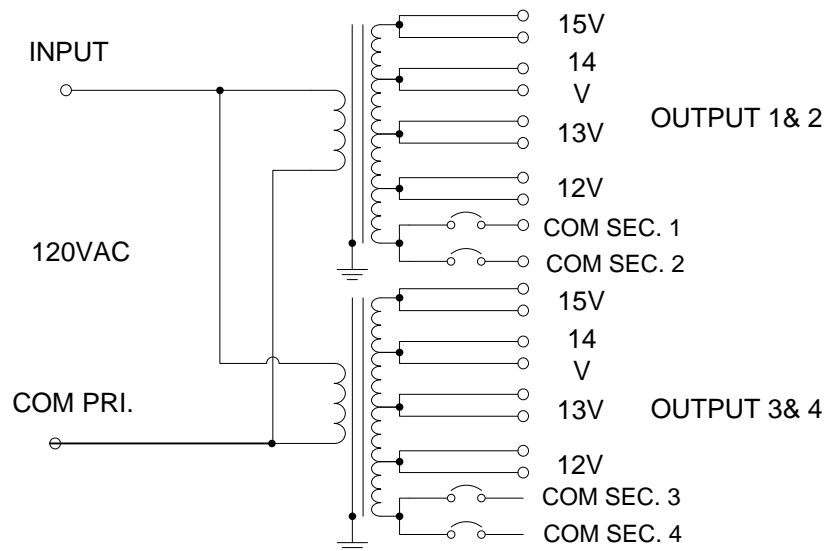
Table 1. NOTES:

Terminal block label	Output Volts
12V	12.2
13V	13.1
14V	14
15V	14.8

- Output voltage in table 1 with 120VAC applied and fully loaded for each of 4 circuits.
- Maximum no load input current : 1.8A
- Case Temperature not exceed 55°C in a 40°C ambient, fully loaded.
- The actual transformer consists two transformers 600VA each and casted in one case.
- The transformer is dimmable with all dimmers designed for magnetic transformers.
- Input leads are 18 AWG output leads are 12 AWG. Lead insulation is 105°C.
- The output terminal block rated for 55A and 8 AWG.
- The photocell terminal block rated for 40A 10 AWG.
- The transformer use class B (130°C) insulation system.
- The transformer has 4 manual reset magnetic 25A circuit breakers on the secondary side.
- Wiring compartment has 10 knockouts sized for 3/4 inch screw cable connectors.
- The removable cover for the wiring compartment secured in place with two screws. Second not removable cover secured by clips.



- The case is black powder coated.
- The Transformer is UL listed.
- The label containing Magnefield catalog number and electrical rating.
- The transformer ready to use with timer and photocell.



See note 10.

				13332 Blythe st. N Hollywood, CA 91405 www.emcod.com	
				PAGE ____	SCALE no scale
DRW.	NAME	DATE	SING.	OF ____	TOLERANCE ±
CHK.				DESCRIPTION:	
APV.				Multi-tap 1200VA 12V system Outdoor Transformer.	
PART No. MT- 1200 REV. A					