

EM200S12DC277

Magnetic Phase cut Dimmable

Outdoor Black Powder Coated Steel Enclosure

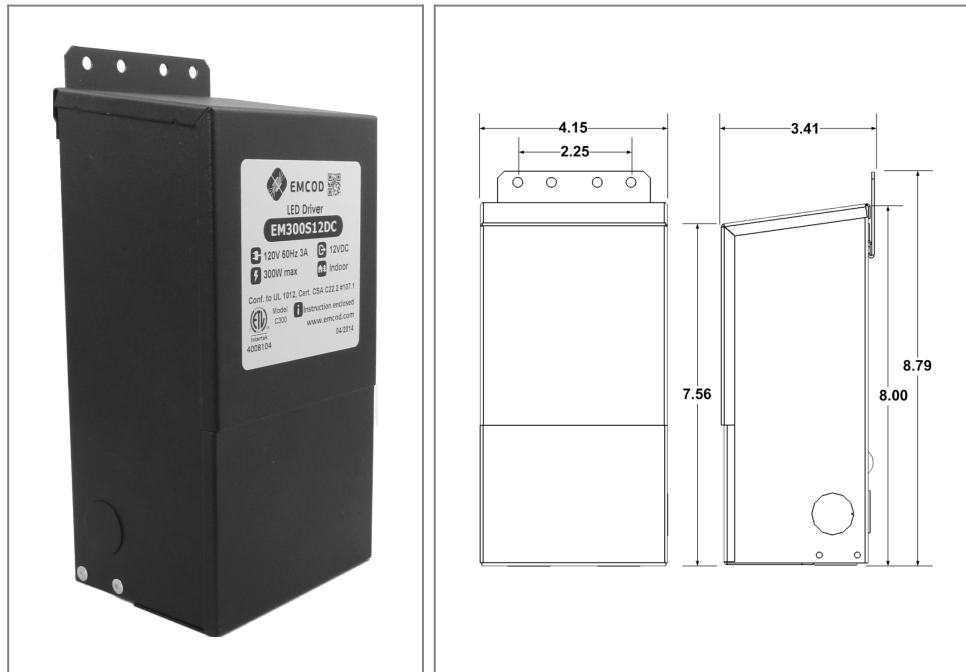
Single Circuit: **12VDC**

Total Wattage: **200W max**

Input Voltage: **277V 60Hz**



Conforms to UL STD. 2108
Certified to CSA
STD. C22.2 № 250.0
model EM150
[Link to certification](#)



Transformer

Dimmable with compatible MLV, ELV, CL dimmers, please refer to list on emcod.com

Temperature class B(130°C)

Two section bobbin completely separated primary and secondary windings

Input leads are 18AWG 600V

Output leads are 12AWG 300V

Leads max. operational temperature is 105°C

Magnetic manually reset secondary breaker 25A

Housing

The actual transformer 200W is encapsulated in the enclosure

The enclosure is Black Powder Coated Steel, NEMA 3R rated

Wiring compartment has 6 knockouts sizes for 3/8 inch screw cable connectors

Enclosure Temperature does not exceed 75°C at 45°C ambient and fully loaded

Dimensions (inch): H = 8, W = 4.15, D = 3.41

Weight (LBs): 0.77

Electrical Parameters

Input Voltage: **277V 60Hz**

Max. input current at full load: **0.8A**

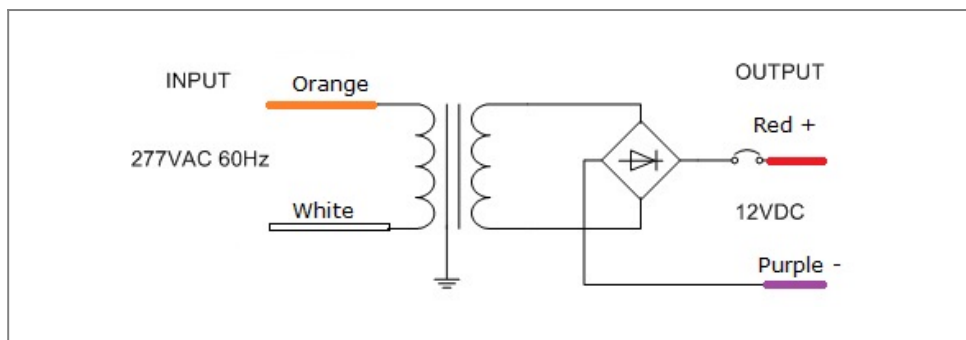
Output voltage without load: **12.7VDC**

Output voltage fully loaded: **11.5VDC**

Max. Total Wattage: **200W**

Max. Output Current: **16.6A**

Efficiency: **93%**



Mailing Address: 6925 Eton Ave. Canoga Park, CA 91303 Tech support: Arik Nirenberg phone: 818-904-3309 cellphone: 818-269-4091
Fax: 818 904 3327 info@emcod.com techsupport@emcod.com