

EMS300S24DC

Magnetic Phase cut Dimmable

Outdoor Stainless Steel Enclosure

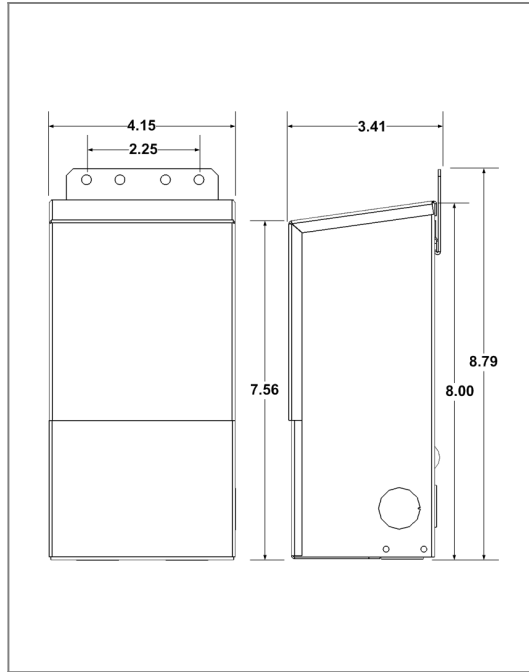
Single Circuit: **24VDC**

Total Wattage: **300W max**

Input Voltage: **120V 60Hz**



Conforms to UL STD. 2108
Certified to CSA
STD. C22.2 № 250.0
model EM300
[Link to certification](#)



Transformer

Dimmable with compatible MLV, ELV, CL dimmers, please refer to list on emcod.com

Temperature class B(130°C)

Two section bobbin completely separated primary and secondary windings

Input leads are 18AWG 600V

Output leads are 12AWG 300V

Leads max. operational temperature is 105°C

Thermal manually reset primary breaker 5A

Thermal manually reset secondary breaker 20A

Housing

The actual transformer 300W is encapsulated in the enclosure

The enclosure is Stainless Steel, NEMA 3R rated

Wiring compartment has 6 knockouts sizes for 3/8 inch screw cable connectors

Enclosure Temperature does not exceed 75°C at 45°C ambient and fully loaded

Dimensions (inch): H = 8, W = 4.15, D = 3.41

Weight (LBs): 0.84

Electrical Parameters

Input Voltage: **120V 60Hz**

Max. input current at full load: **2.6A**

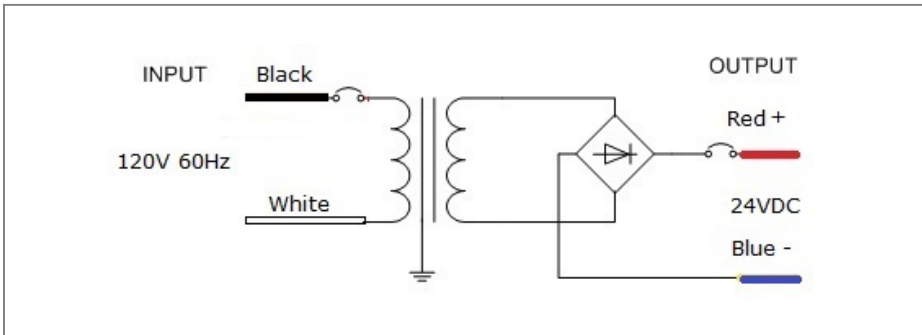
Output voltage without load: **25.6VDC**

Output voltage fully loaded: **23.5VDC**

Max. Total Wattage: **300W**

Max. Output Current: **12.5A**

Efficiency: **90%**



Mailing Address: 646 Flinn Ave. Unit B, Moorpark , CA 93021 Tech support: Arik Nirenberg phone: 818-904-3309
Fax: 818 904 3327 info@emcod.com techsupport@emcod.com