

ML75S24DC277

Class 2 Magnetic

Outdoor Black Powder Coated Steel Enclosure

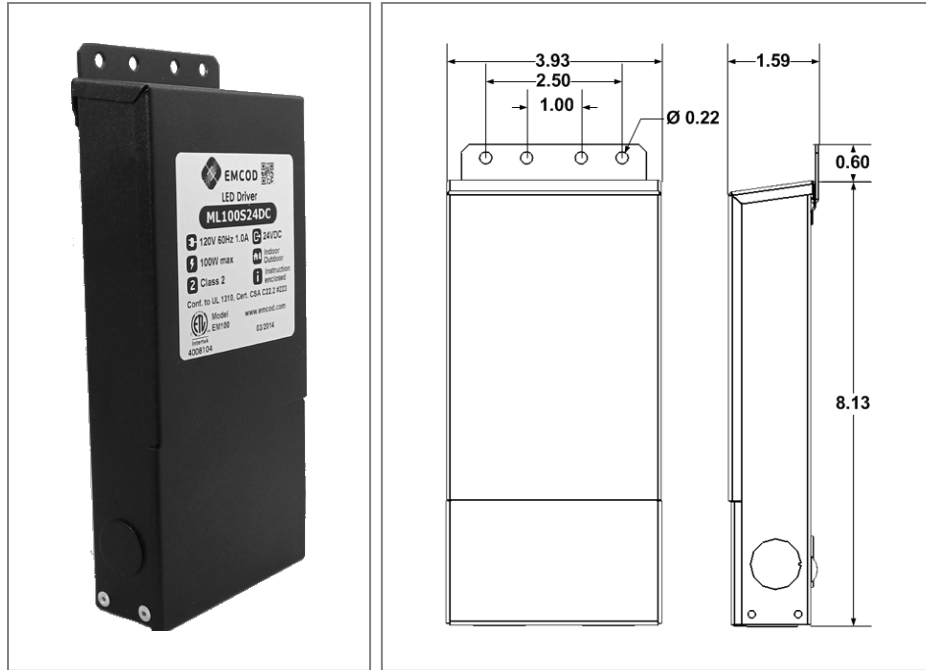
Single Circuit: **24VDC**

Total Wattage: **75W max**

Input Voltage: **277V 60Hz**



Conforms to UL STD. 1310
Certified to CSA
STD. C22.2 No 223
model EM75
[Link to certification](#)



Transformer

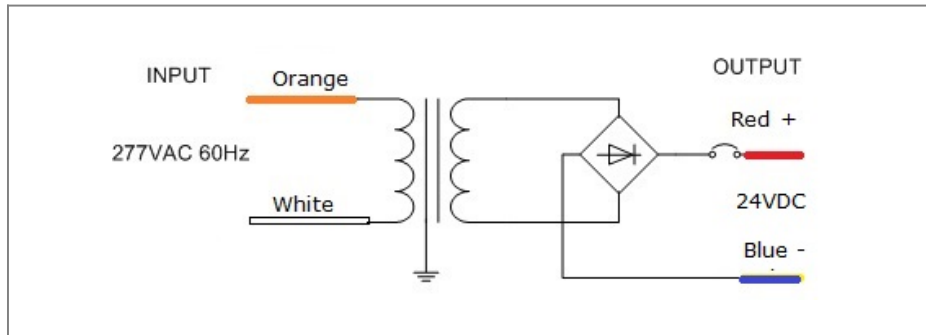
Temperature class B(130°C)
Input leads are 18AWG 600V
Output leads are 18AWG 300V
Leads max. operational temperature is 105°C
Thermal manually reset secondary breaker 4A

Housing

The actual transformer 75W is encapsulated in the enclosure
The enclosure is Black Powder Coated Steel, NEMA 3R rated
Wiring compartment has 5 knockouts sizes for 3/8 inch screw cable connectors
Enclosure Temperature does not exceed 75°C at 45°C ambient and fully loaded
Dimensions (inch): H = 8.13, W = 3.93, D = 1.59
Weight (LBs): 3.85

Electrical Parameters

Input Voltage:	277V 60Hz
Max. input current at full load:	0.75A
Output voltage without load:	27.2VDC
Output voltage fully loaded:	23.5VDC
Max. Total Wattage:	75W
Max. Output Current:	3.1A
Efficiency:	85%



Mailing Address: 646 Flinn Ave. Unit B, Moorpark , CA 93021 Tech support: Arik Nirenberg phone: 818-904-3309
Fax: 818 904 3327 info@emcod.com techsupport@emcod.com