

# EMT-75-SSHL

## Magnetic Dimmable

Outdoor Stainless Steel Enclosure

Multi Tap: **12-15VAC**

Total Wattage: **75W max**

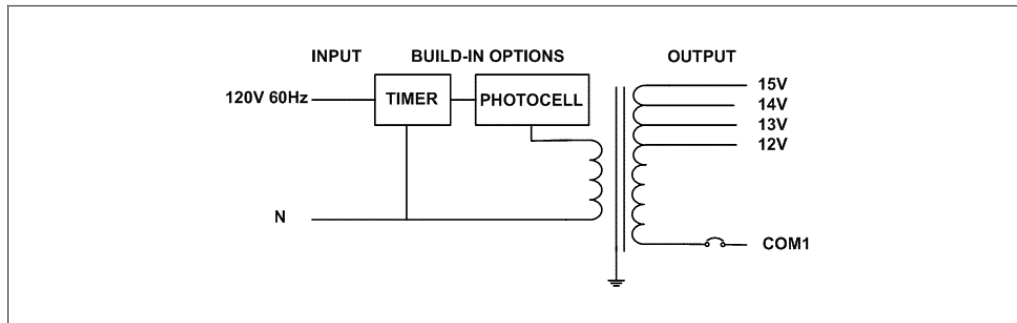
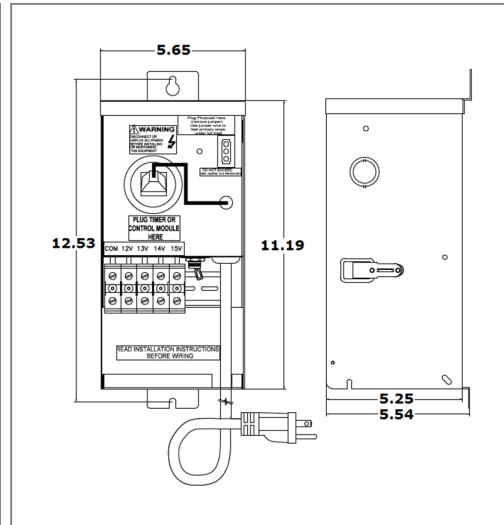
Input Voltage: **120V 60Hz**



www.emcod.com



Conforms to UL STD. 1838  
Certified to CSA  
STD. C22.2 No 250.0, 250.7



### Transformer

Dimmable with any LV magnetic dimmer as long as you cover dimmer's min load.

Temperature class B(130°C)

Input leads: Line cord

Output leads: Terminal Block

Magnetic manually reset secondary breaker 7A

Timer and photocell build in options

### Housing

The actual transformer 75W is encapsulated in the enclosure

The enclosure is Stainless Steel, NEMA 3R rated

Wiring compartment has 4 knockouts sizes for 3/8 inch screw cable connectors

Enclosure Temperature does not exceed 75°C at 45°C ambient and fully loaded

Dimensions (inch): H = 11.19, W = 5.65, D = 5.54

Weight (LBs): 10.4

### Electrical Parameters

Input Voltage: **120V 60Hz**

Max. input current at full load: **0.63A**

Output voltage without load: **12.4/ 13.4/ 14.1/ 15.4VAC**

Output voltage fully loaded: **11.4/ 12.4/ 13.4/ 14.3VAC**

Max. Total Wattage: **75W**

Max. Output Current: **6.2/ 5.8/ 5.4/ 5A**

Efficiency: **90%**

Load regulation: **0.09%**

Mailing Address: 6925 Eton Ave. Canoga Park, CA 91303 Tech support: Arik Nirenberg phone: 818-904-3309 cellphone: 818-269-4091  
Fax: 818 904 3327 info@emcod.com techsupport@emcod.com