

EPC40W

Magnetic Dimmable

Outdoor Black Powder Coated Steel Enclosure

Multi Tap: **12VAC and 15VAC**

Total Wattage: **40W max**

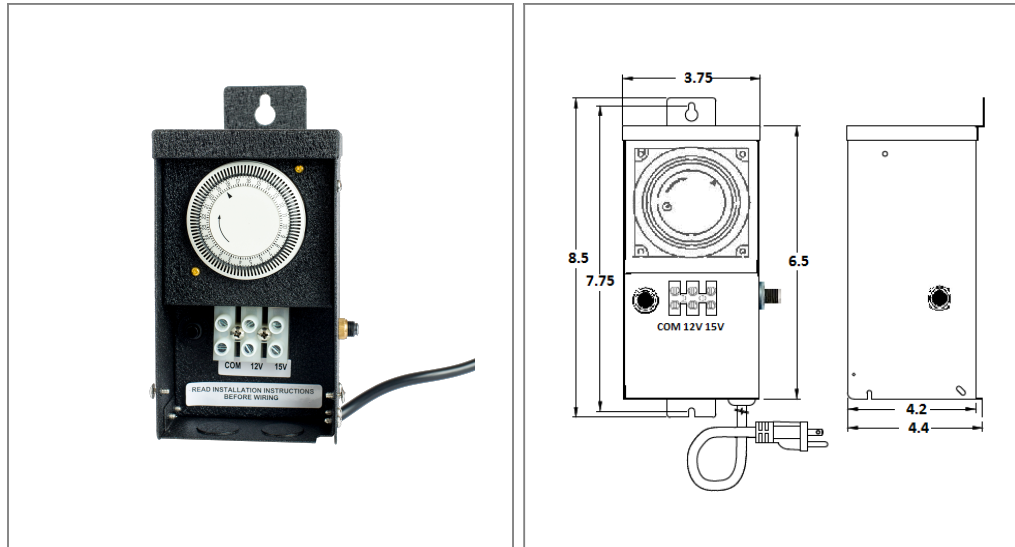
Input Voltage: **120V 60Hz**



www.emcod.com



Conforms to UL STD. 1838
Certified to CSA
STD. C22.2 No 250.0, 250.7



Transformer

Dimmable with any MLV, CL dimmer, as long as, dimmer's min. load is covered.

Temperature class B(130°C)

Thermal manually reset secondary breaker 6A

Timer and photocell build in options

Housing

The actual transformer 40W is encapsulated in the enclosure

The enclosure is Black Powder Coated Steel, NEMA 3R rated

Wiring compartment has 2 knockouts sizes for 3/8 inch screw cable connectors

Enclosure Temperature does not exceed 65°C at 45°C ambient and fully loaded

Dimensions (inch): H = 8.5, W = 3.75, D = 4.4

Weight (LBs): 5

Electrical Parameters

Input Voltage: **120V 60Hz**

Max. input current at full load: **0.4A**

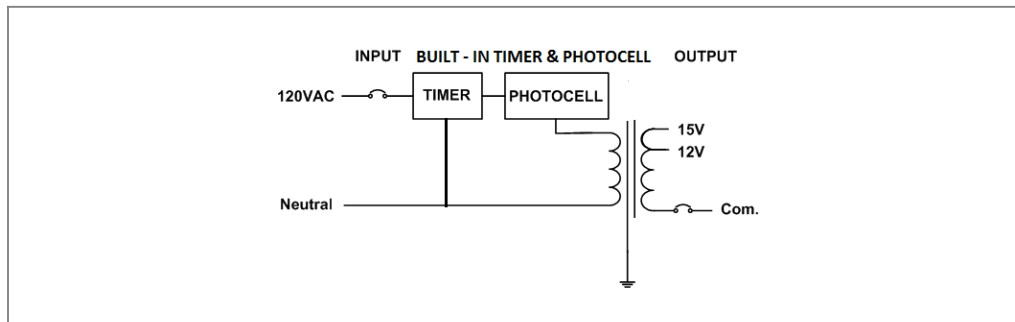
Output voltage without load: **12/ 15VAC**

Output voltage fully loaded: **11.5/ 14.5VAC**

Max. Total Wattage: **40W**

Max. Output Current: **3.3/ 2.7A**

Efficiency: **90%**



Mailing Address: 15545 Cabrito Rd. Van Nuys, CA 91406 Tech support: Arik Nirenberg phone: 818-904-3309 cellphone: 818-269-4091
Fax: 818 904 3327 info@emcod.com techsupport@emcod.com