

MLE192C2-24UD T24

Class 2 Electronic UNIV 5 in 1 dimming

Outdoor Black Powder Coated Steel Enclosure

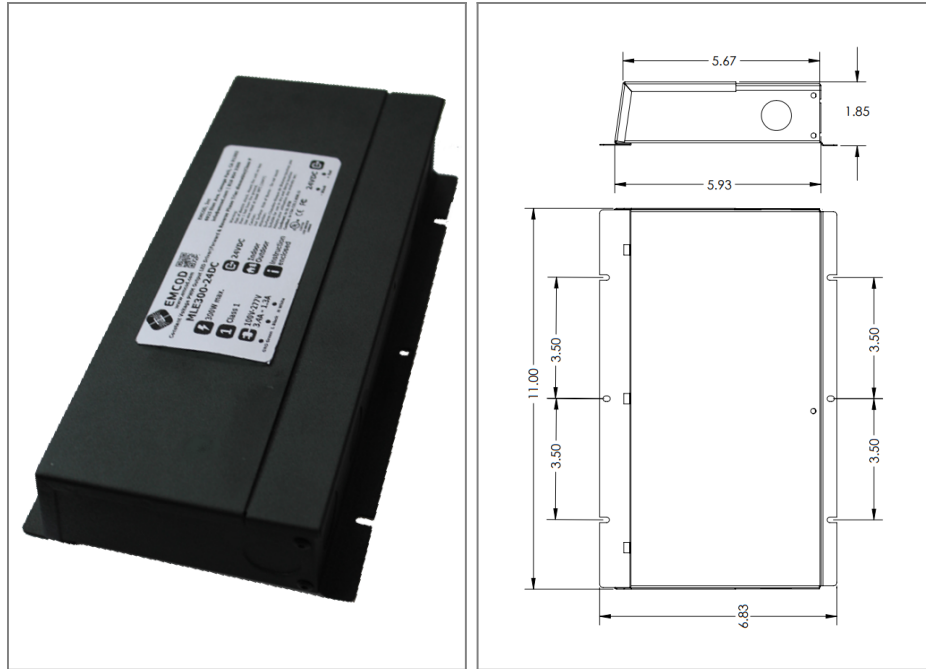
Double Circuit: **24VDC 20kHz PWM, T24 JA-8**

Total Wattage: **192W max**

Input Voltage: **110-277V 50/60Hz**



Conforms to UL STD. 8750
Certified to CSA
STD. C22.2 No 250.13
model MLE192C2-24UD



Transformer

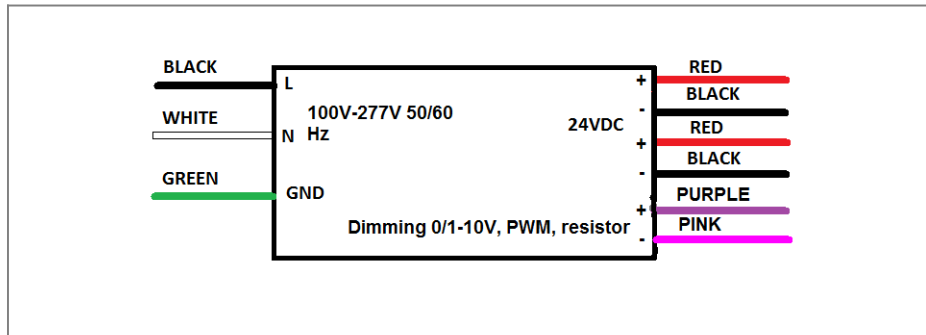
Dimmable with triac forward and reverse phase, 0/1-10V , resistor, PWM
Temperature class B(130°C)
Input leads are 18AWG 600V
Output leads are 16AWG 300V
Leads max. operational temperature is 105°C per circuit

Housing

The actual transformer 192W is encapsulated in the enclosure
The enclosure is Black Powder Coated Steel, NEMA 3R rated
Wiring compartment has 10 knockouts sizes for 3/8 inch screw cable connectors
Enclosure Temperature does not exceed 70°C at 45°C ambient and fully loaded
Dimensions (inch): H = 6.83, W = 11, D = 1.85
Weight (LBs): 4.4

Electrical Parameters

Input Voltage:	110-277V 50/60Hz	
Max. input current at full load:	2.3A	
Output voltage without load:	24.1VDC	
Output voltage fully loaded:	24VDC	
Max. Total Wattage:	192W	Max. per circuit: 96W
Max. Output Current:	4A per circuit.	
Efficiency:	90%	
Load regulation:	1%	
Ripple:	5%	



Mailing Address: 646 Flinn Ave. Unit B, Moorpark , CA 93021 Tech support: Arik Nirenberg phone: 818-904-3309
Fax: 818 904 3327 info@emcod.com techsupport@emcod.com